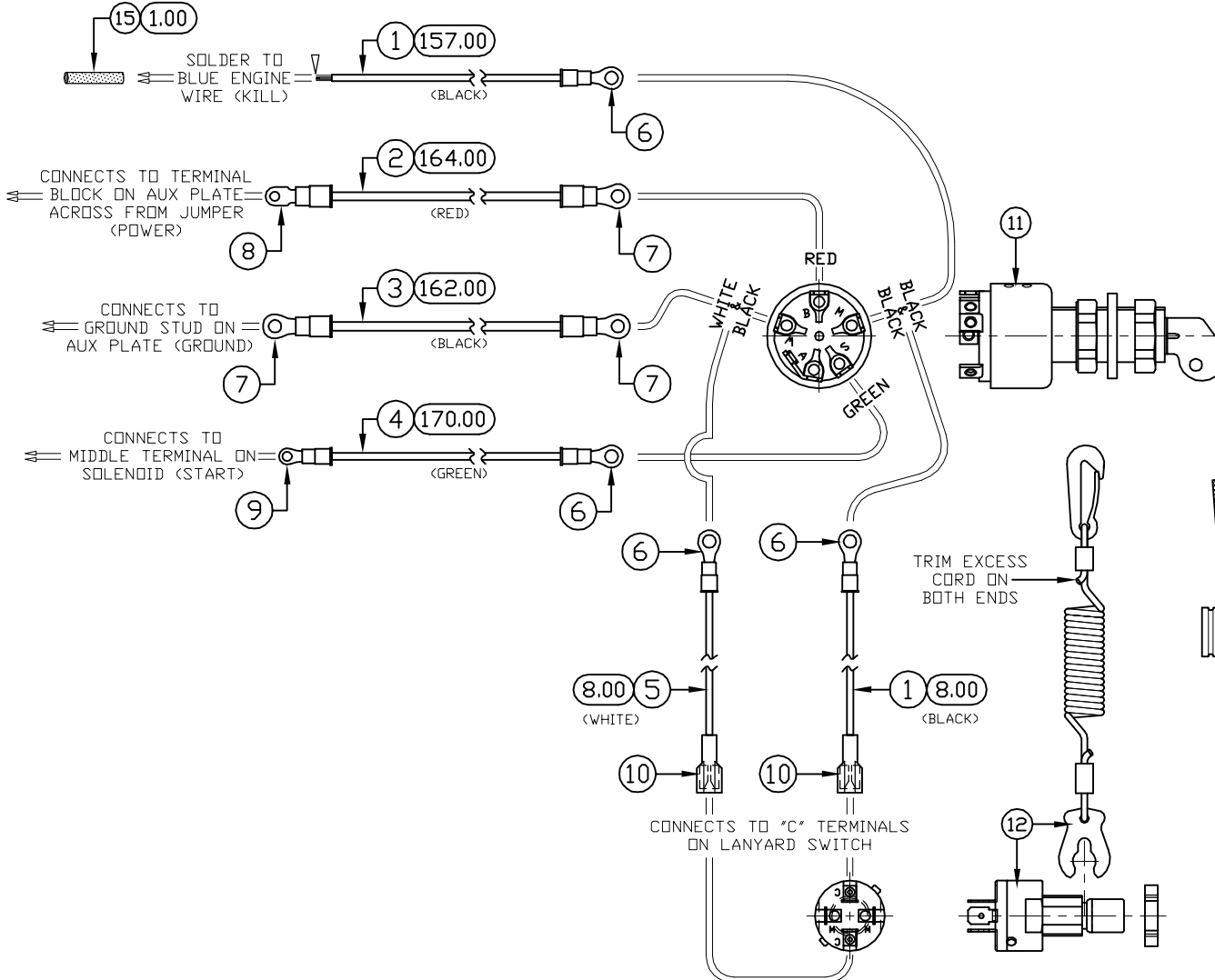


FOR USE DURING
INSTALLATION



BILL OF MATERIAL			
REF.	PART#	DESCRIPTION	QTY.
1	7648	BLACK MARINE WIRE, TINNED COPPER WIRE	165.00
2	3205	ELEC. CABLE, RED	164.00
3	3206	ELEC. CABLE, BLACK	162.00
4	3081	ELEC. CABLE, GREEN	170.00
5	3013	ELEC. CABLE, WHITE	8.00
6	2197	TERM. FITTING	4
7	2408	TERM. FITTING	3
8	2409	TERM. FITTING	1
9	2196	TERM. FITTING	1
10	2198	TERM. FITTING	2
11	1884	MARINE IGNITION SWITCH ASSY	1
12	1052	LANYARD SWITCH ASSY	1
13	2991	WIRE LOOM	76.00
14	2659	CORRUGATED LOOM	16.00
15	2951	HEAT SHRINK, BLACK	1.00



NOTES:

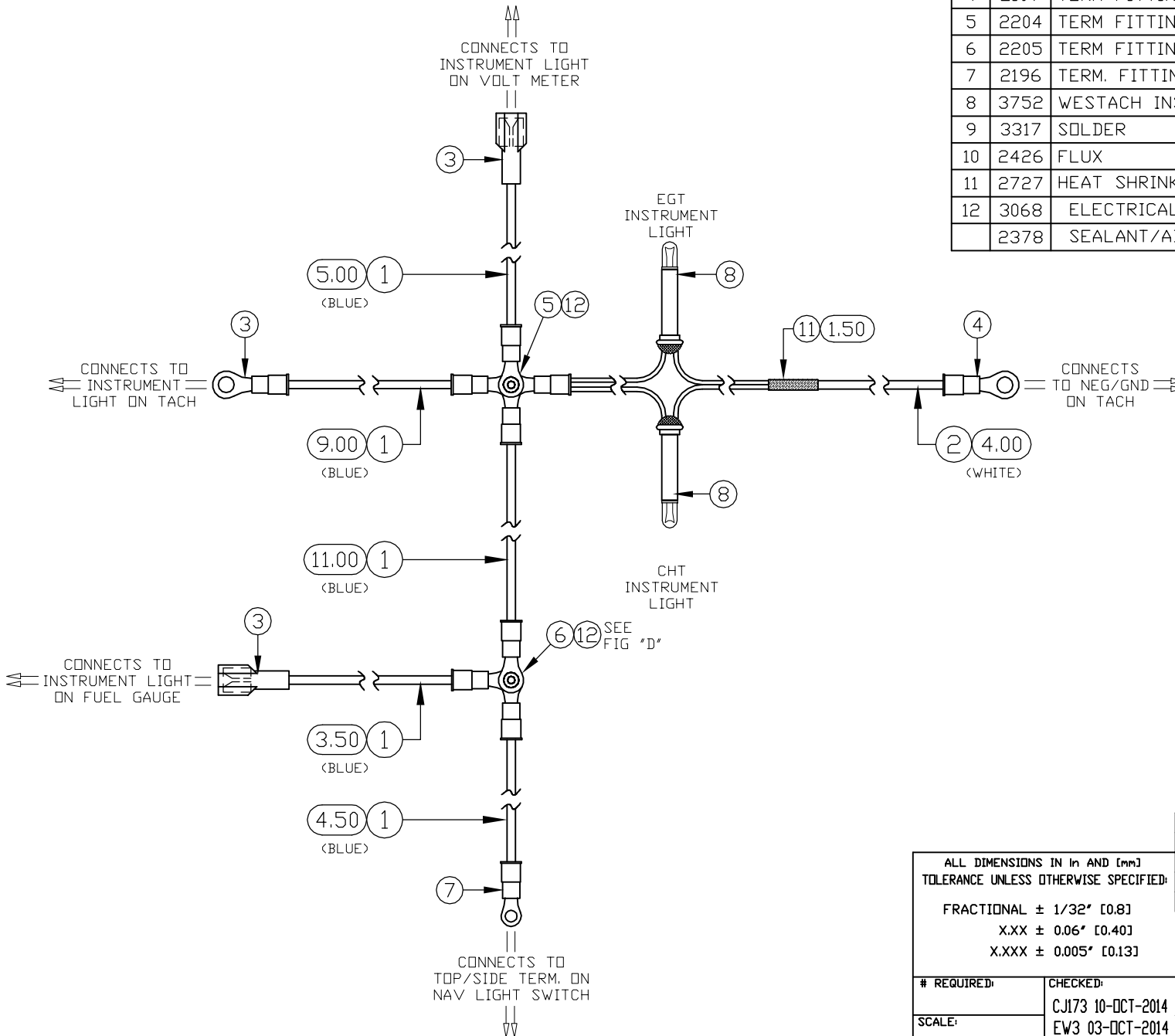
1. WIRE HARNESS WILL INCLUDE EVERY THING SHOWN.

ORDER OF OPERATIONS

1. ATTACH WIRES TO IGNITION SWITCH AS SHOWN.

ALL DIMENSIONS IN IN AND [mm] TOLERANCE UNLESS OTHERWISE SPECIFIED:		CS 2 UPDATED TO STDII & ELECTRICAL STD 16 MAY, 2014	
X.XX ± 0.13 [3.2]		CS 1 REDRAWN & UPDATED TO STD 23 FEB, 2009	
# REQUIRED:	CHECKED:	SIG. NO. REVISION DATE	
SCALE:	EW3 21-AUG-2014	 1649 TIPPECANOE STREET TERRE HAUTE, INDIANA, U.S.A. 47807-2394 TELEPHONE (812) 234-1150 FAX (812) 234-3217	
PAGE: 1 OF 1	WEIGHT:		DRAWN: J. DAVIS NAME: HT4 BASIC WIRE HARNESS
			DATE: 2 JUN., 2005 NUMBER: 16651 REV. 2

BILL OF MATERIAL			
REF.	PART #	DESCRIPTION	QTY.
1	3012	ELEC. CABLE BLUE	32.00
2	3013	ELEC. CABLE, WHITE	4.00
3	2198	TERM. FITTING	2
4	2197	TERM FITTING	2
5	2204	TERM FITTING	1
6	2205	TERM FITTING	1
7	2196	TERM. FITTING	1
8	3752	WESTACH INSTRUMENT LIGHT KIT	2
9	3317	SOLDER	0.50
10	2426	FLUX	0.1
11	2727	HEAT SHRINK, BLACK	1.50
12	3068	ELECTRICAL TAPE, BLACK	12.00
	2378	SEALANT/ADHESIVE, BLACK	0.25



CS	3	UPDATED TO ELECTRICAL STD	22 MAY, 2014
CJ	2	ADDED FIGURE A-D & SWITCHED ENDS OUT OF 4-WAY	22 FEB, 2013
CJ	2	REMOVED JUMPER, ADDED GOOP, & UPDATED TO STD II	18 OCT, 2012
CS	1	REDRAWN & UPDATED TO STD	19 FEB, 2009
SIG.	NO.	REVISION	DATE

ALL DIMENSIONS IN IN AND [mm]
 TOLERANCE UNLESS OTHERWISE SPECIFIED:
 FRACTIONAL ± 1/32" [0.8]
 X.XX ± 0.06" [0.40]
 X.XXX ± 0.005" [0.13]

# REQUIRED:	CHECKED:
SCALE:	CJ173 10-OCT-2014
PAGE:	EW3 03-OCT-2014
1 OF 1	WEIGHT: 1.0 OZ

Neoteric Hovercraft Inc.

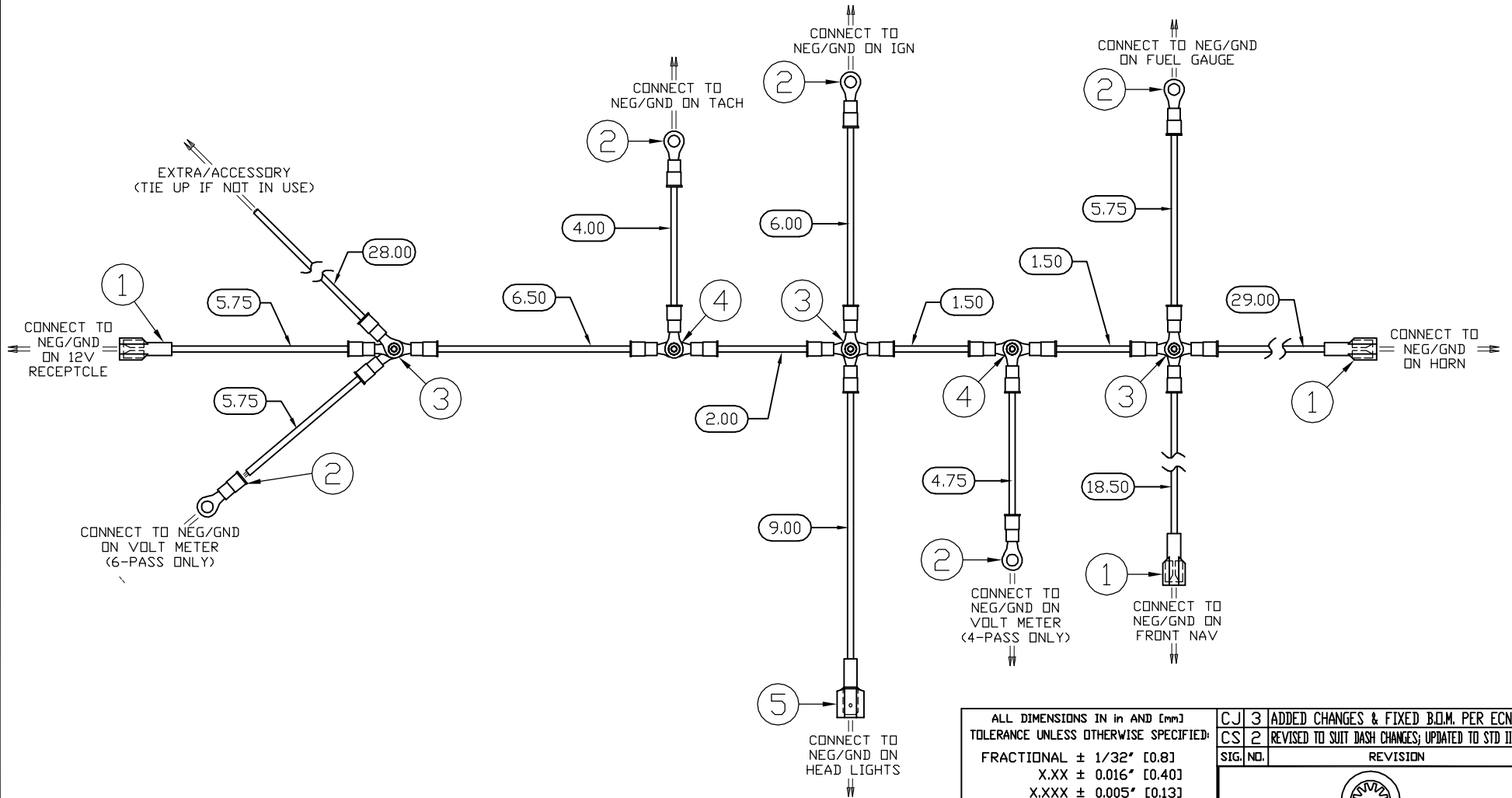
1649 TIPPECANOE STREET
 TERRE HAUTE, INDIANA, U.S.A. 47807-2394
 TELEPHONE (812) 234-1120 FAX (812) 234-3217

DRAWN:	NAME:
J. DAVIS	HT4 LAMP HARNESS
DATE:	NUMBER:
1 JUN, 2005	16652
	REV:
	3

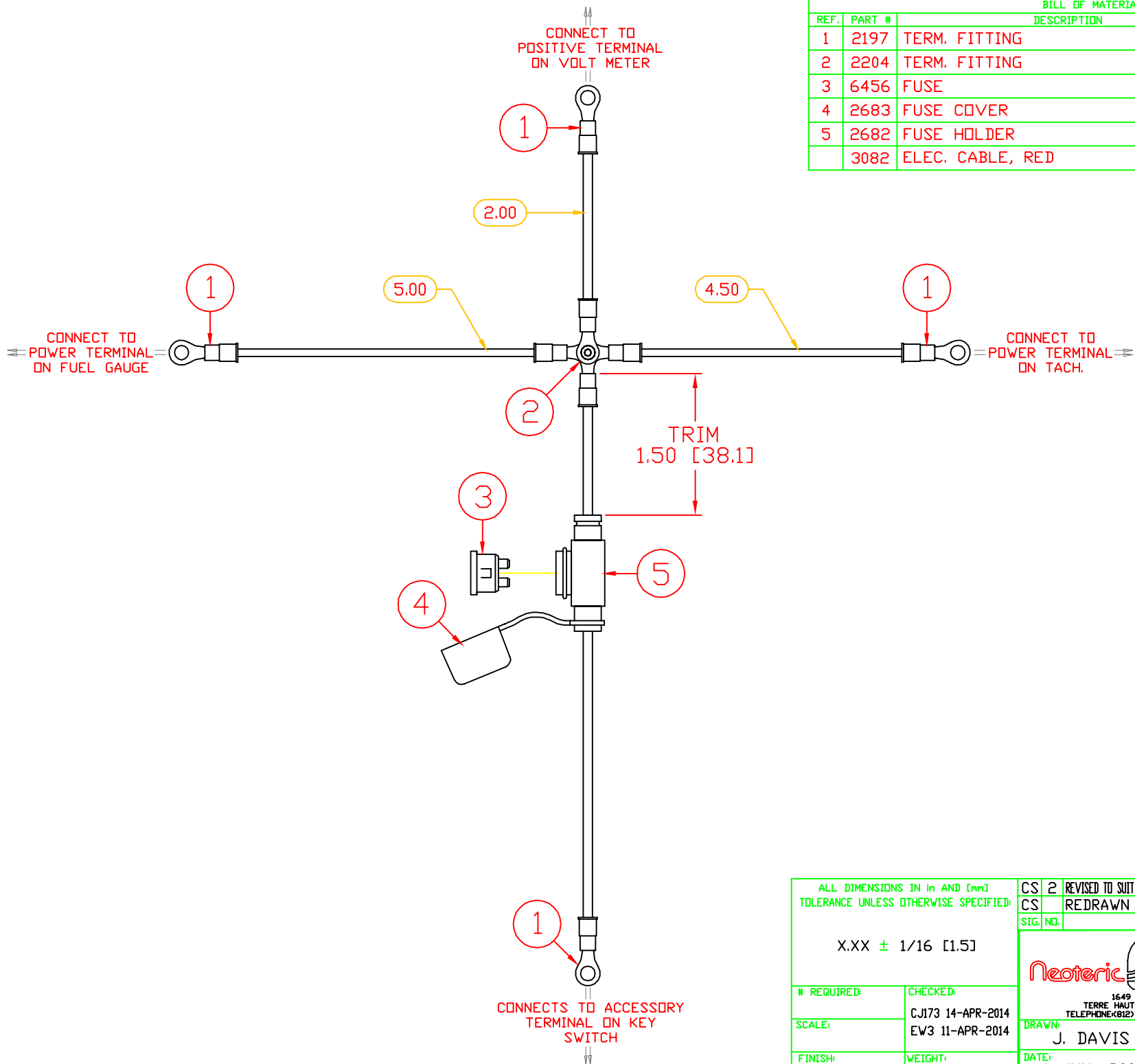
NOTES:

1) HOOK UP WIREING AS SPECIFIED.

BILL OF MATERIAL			
REF.	PART #	DESCRIPTION	QTY.
1	2198	TERM. FITTING	3
2	2197	TERM. FITTING	5
3	2204	TERM. FITTING	3
4	2205	TERM. FITTING	2
5	2199	TERM. FITTING	1
6	3013	ELEC. CABLE, WHITE	129.00
7	3068	ELECTRICAL TAPE, BLACK	30.00
8	3307	PLASTIC BAG	1
9	3309	SEALING TAPE, RED	2



ALL DIMENSIONS IN IN AND [mm] TOLERANCE UNLESS OTHERWISE SPECIFIED: FRACTIONAL ± 1/32" [0.8] X.XX ± 0.016" [0.40] X.XXX ± 0.005" [0.13] X.X" ± 0.10"		CJ 3	ADDED CHANGES & FIXED B.O.M. PER ECN	17 FEB, 2014
		CS 2	REVISED TO SUIT DASH CHANGES; UPDATED TO STD II	05 JUL, 2013
		SIG. NO.	REVISION	DATE
		1649 TIPPECANOE STREET TERRE HAUTE, INDIANA, U.S.A. 47807-2394 TELEPHONE (812) 234-1120 FAX (812) 234-3217		
# REQUIRED:	CHECKED:	DRAWN:	NAME:	
	EW3 17 FEB, 2014	J. DAVIS	HT GROUND HARNESS	
SCALE:	CS137 18 FEB, 2014	DATE:	NUMBER:	REV.
		19 MAY, 2005	16653	3



BILL OF MATERIAL			
REF.	PART #	DESCRIPTION	QTY.
1	2197	TERM. FITTING	4
2	2204	TERM. FITTING	1
3	6456	FUSE	1
4	2683	FUSE COVER	1
5	2682	FUSE HOLDER	1
	3082	ELEC. CABLE, RED	11.50

ALL DIMENSIONS IN IN AND [mm]
TOLERANCE UNLESS OTHERWISE SPECIFIED:

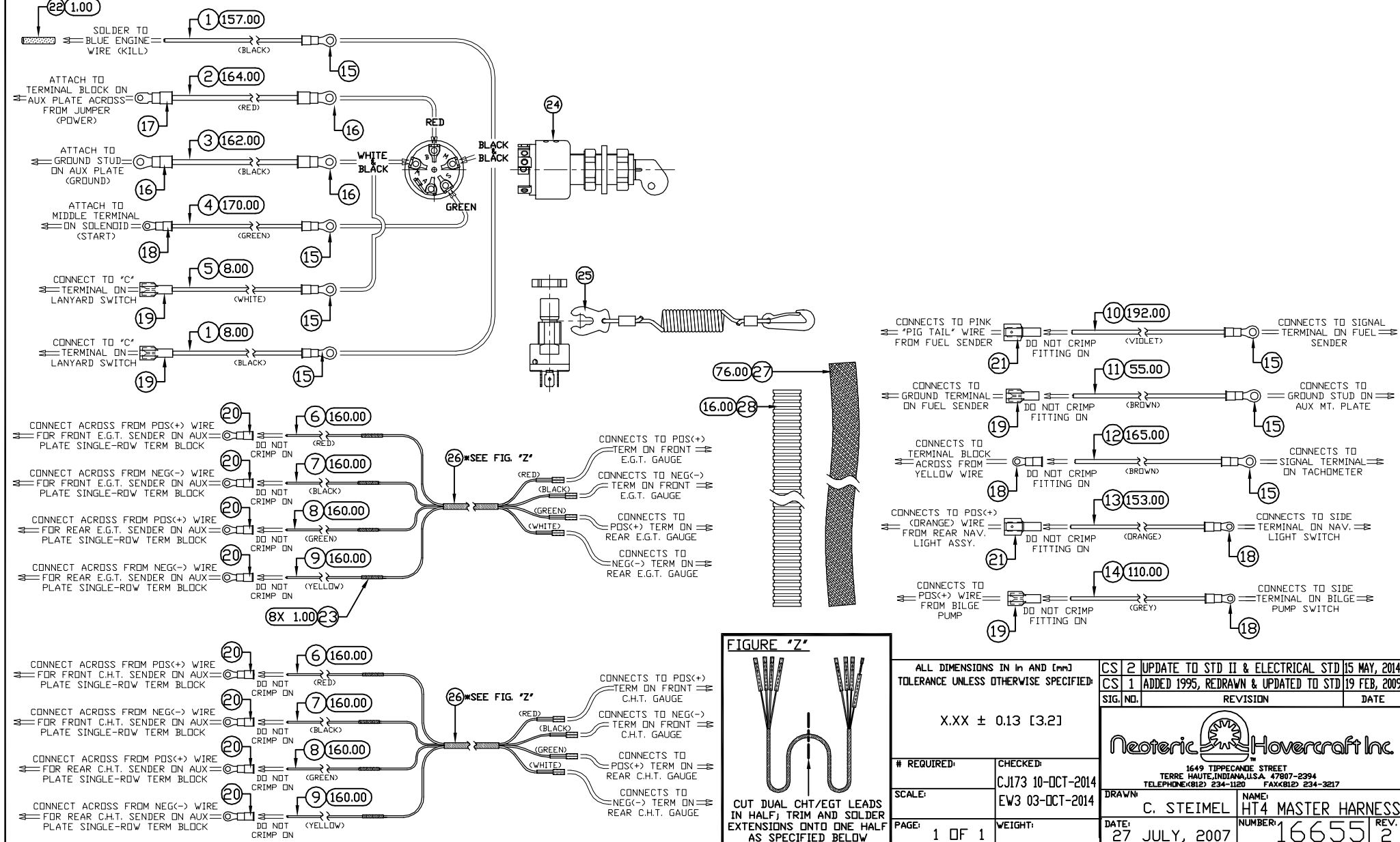
X.XX ± 1/16 [1.5]

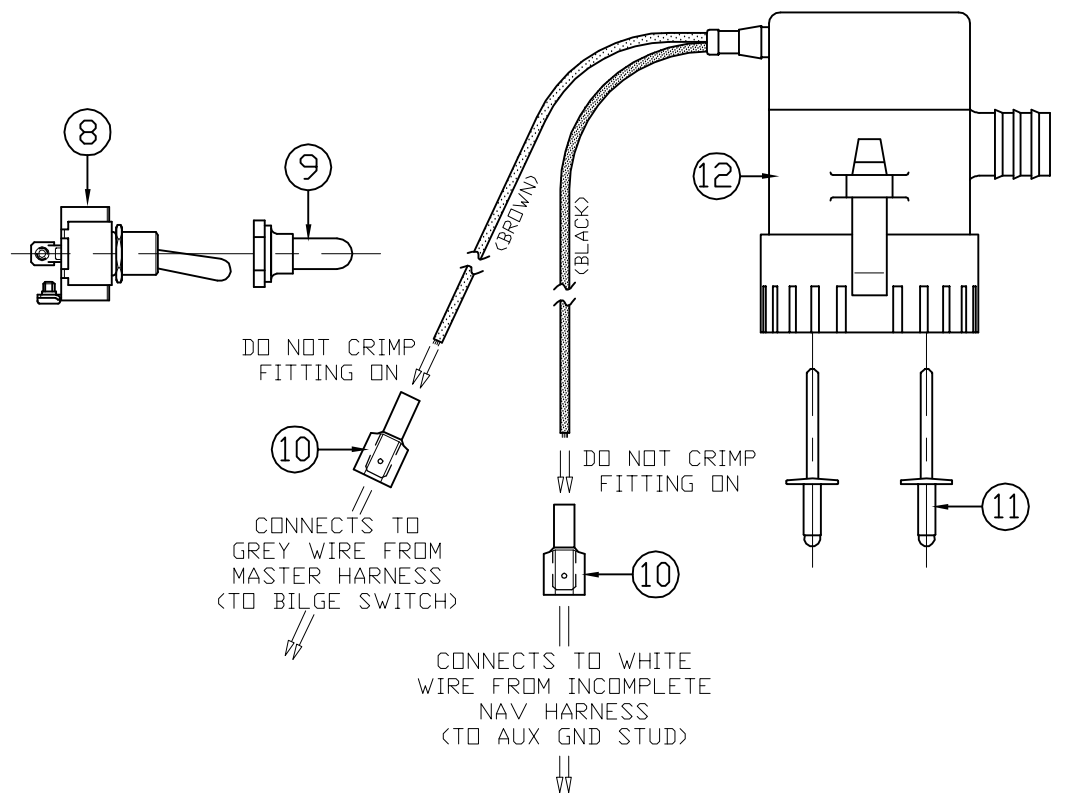
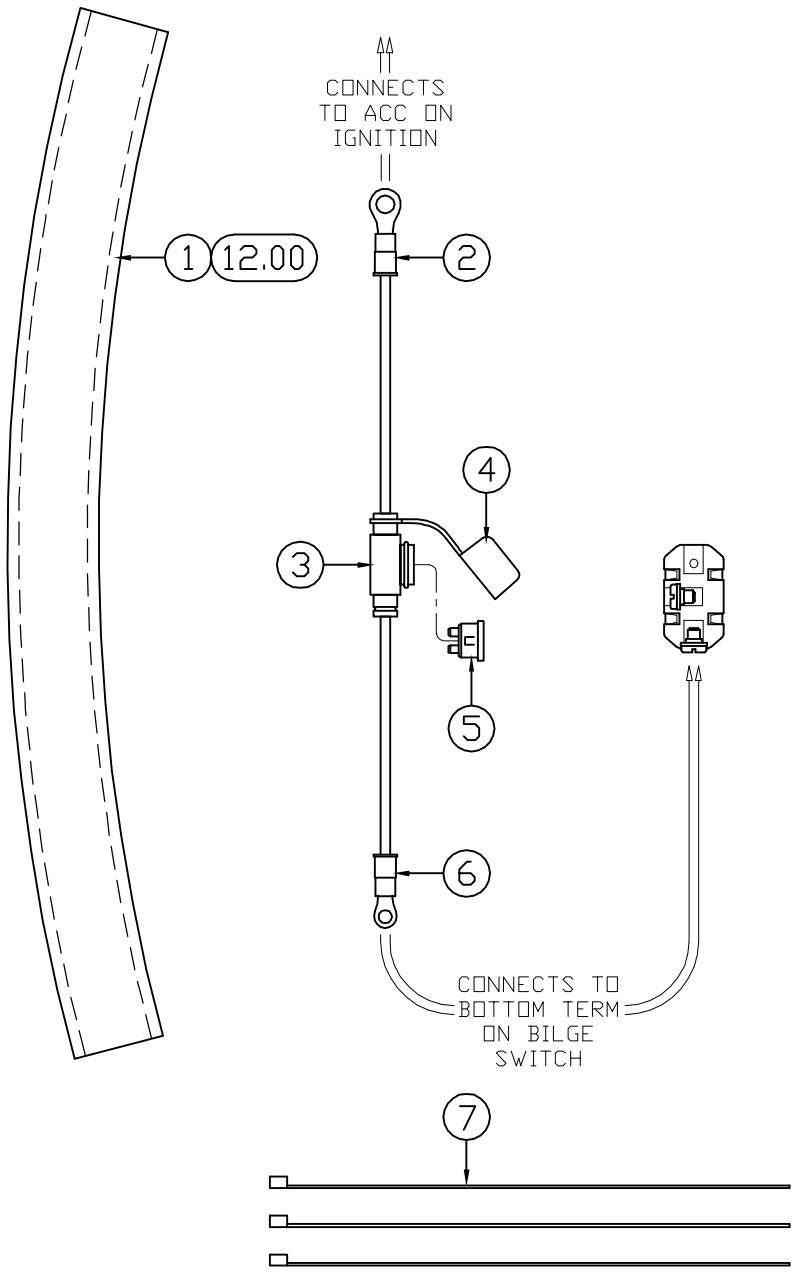
# REQUIRED:	CHECKED:	CS 2	REVISOR:	DATE:
	CJ173 14-APR-2014	CS	REVISION:	DATE:
SCALE:	EW3 11-APR-2014			
FINISH:	WEIGHT:	1649 TIPPECANOE STREET TERRE HAUTE, INDIANA, U.S.A. 47807-2394 TELEPHONE (812) 234-1120 FAX (812) 234-3217		
		DRAWN:	NAME:	REV.
		J. DAVIS	HT INSTRUMENT HARNESS	
		DATE:	NUMBER:	
		1 JUN, 2005	16654	2

BILL OF MATERIAL											
REF.	PART #	DESCRIPTION	QTY.	REF.	PART #	DESCRIPTION	QTY.	REF.	PART #	DESCRIPTION	QTY.
1	7648	BLACK MARINE WIRE, TINNED COPPER WIRE	165.00	11	3098	ELEC. CABLE, BROWN	55.00	21	2199	TERM. FITTING	2
2	3205	ELEC. CABLE, RED	164.00	12	7649	BROWN MARINE WIRE, TINNED COPPER WIRE	165.00	22	2951	HEAT SHRINK, BLACK	1.00
3	3206	ELEC. CABLE, BLACK	162.00	13	3010	ELEC. CABLE, ORANGE	153.00	23	2727	HEAT SHRINK, BLACK	8.00
4	3081	ELEC. CABLE, GREEN	170.00	14	3097	ELEC. CABLE, GREY	110.00	24	1884	MARINE IGNITION SWITCH ASSY	1
5	3013	ELEC. CABLE, WHITE	8.00	15	2197	TERM. FITTING	7	25	1052	LANYARD SWITCH ASSY	1
6	3302	ELEC. CABLE, RED	320.00	16	2408	TERM. FITTING	3	26	6368	DUAL EGT/CHT LEADS	1
7	3303	ELEC. CABLE, BLACK	320.00	17	2409	TERM. FITTING	1	27	2991	WIRE LOOM	76.00
8	3389	ELEC. CABLE, GREEN	320.00	18	2196	TERM. FITTING	4	28	2659	CORRUGATED LOOM	16.00
9	3388	ELEC. CABLE, YELLOW	320.00	19	2198	TERM. FITTING	4				
10	3213	ELEC. CABLE, VIOLET	192.00	20	2209	TERM. FITTING	8				

C. CABLE, WHITE

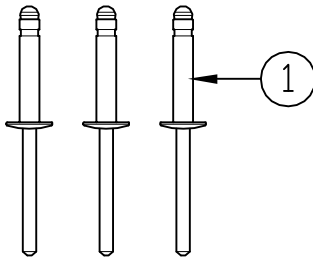
FOR USE DURING INSTALLATION



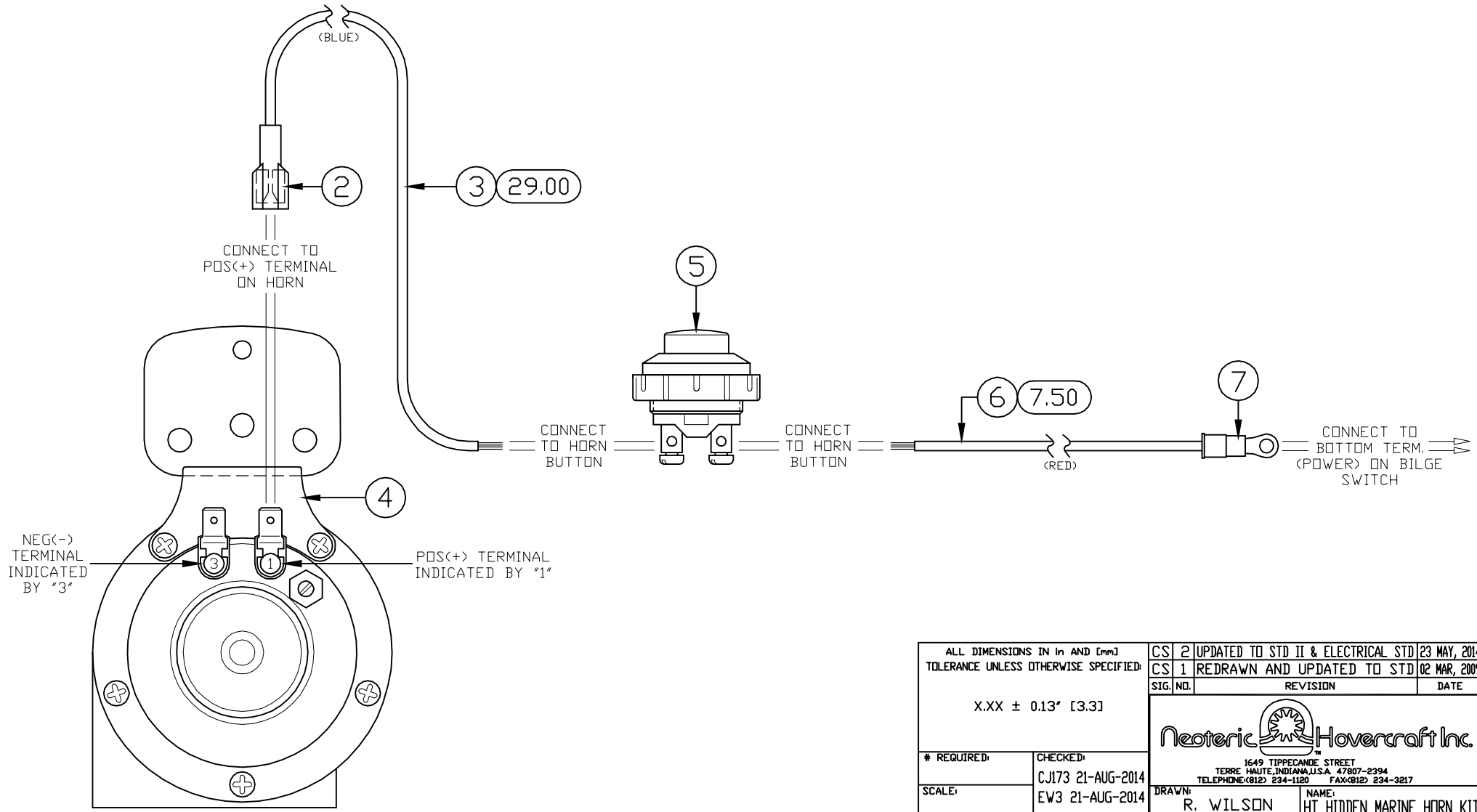


BILL OF MATERIAL			
REF.	PART NO.	DESCRIPTION	QTY.
1	3202	PVC HOSE, CLEAR	12.00
2	2197	TERM. FITTING	1
3	2682	FUSE, HOLDER	1
4	2683	FUSE COVER	1
5	6456	FUSE	1
6	2196	TERM. FITTING	1
7	2372	NYLON WIRE TIE	3
8	1652	TOGGLE SWITCH, ON/OFF	1
9	1653	TOGGLE SWITCH BOOT	1
10	2199	TERM FITTING	2
11	2157	POP RIVET, AL	2
12	1509	BILGE PUMP	1
	3308	PLASTIC BAG	1
	3309	SEALING TAPE, RED	2.00

ALL DIMENSIONS IN in AND [mm]		CS 2	UPDATE TO STD II & ELECTRICAL STD	22 MAY, 2014	
TOLERANCE UNLESS OTHERWISE SPECIFIED:		CS 1	REDRAWN AND UPDATED TO STD	03 MAR, 2009	
X.XX ± 0.06" [1.5]		SIG. NO.	REVISION	DATE	
# REQUIRED:	CHECKED:	 1649 TIPPECANOE STREET TERRE HAUTE, INDIANA, U.S.A. 47607-2394 TELEPHONE (812) 234-1120 FAX (812) 234-3217			
SCALE:	EW3 21-AUG-2014				
PAGE: 1 OF 1	WEIGHT:				
		DRAWN:	R. WILSON	NAME:	HT BILGE PUMP KIT
		DATE:	30 NOV, 2005	NUMBER:	16656
				REV:	2

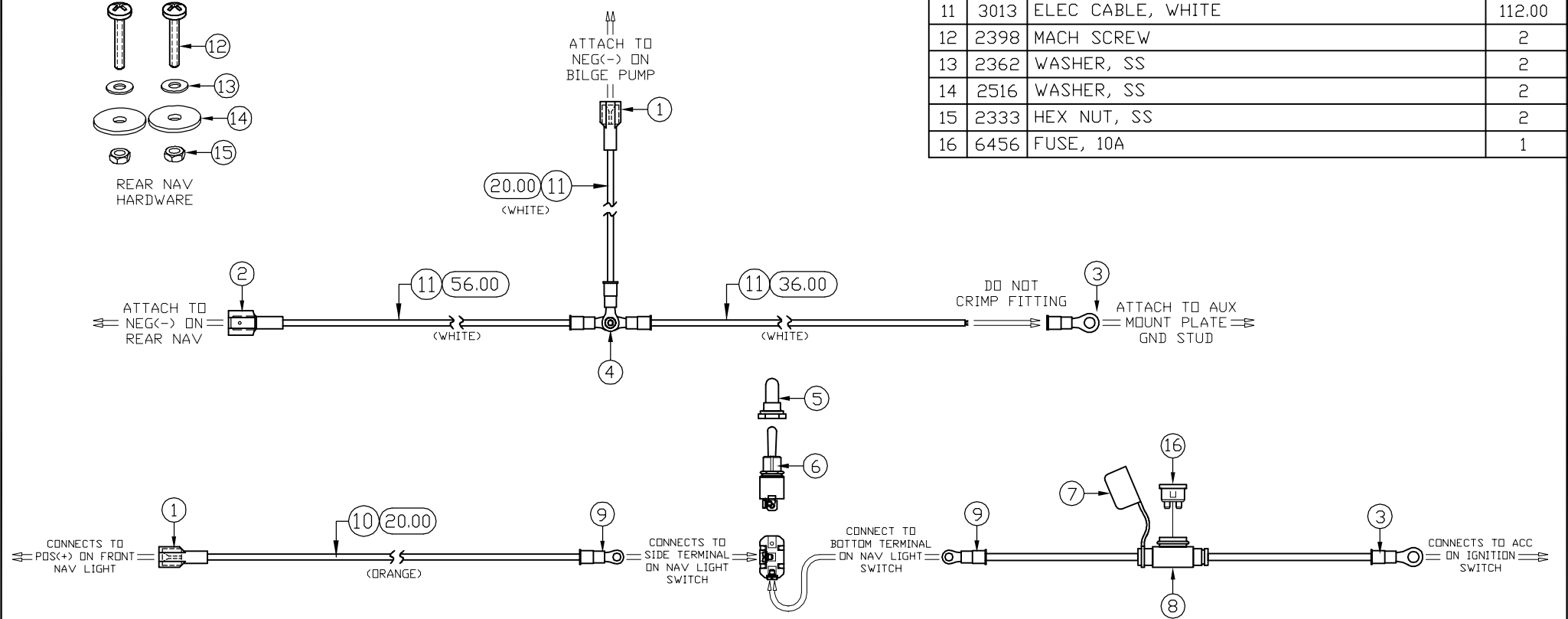
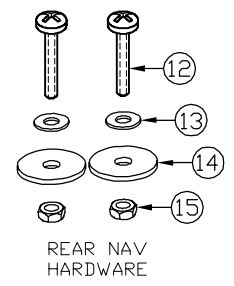
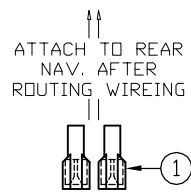


BILL OF MATERIAL			
REF.	PART NO.	DESCRIPTION	QTY.
1	2185	POP RIVET, AL	3
2	2198	TERM. FITTING	1
3	3012	ELEC CABLE	29.00
4	5555	HIDDEN MARINE HORN	1
5	2443	PUSH BUTTON SWITCH ASSY	1
6	3082	ELEC CABLE	7.50
7	2196	TERM. FITTING	1



ALL DIMENSIONS IN In AND [mm] TOLERANCE UNLESS OTHERWISE SPECIFIED:		CS 2 UPDATED TO STD II & ELECTRICAL STD 23 MAY, 2014	CS 1 REDRAWN AND UPDATED TO STD 02 MAR, 2009
X.XX ± 0.13" [3.3]		SIG. NO.	REVISION DATE
# REQUIRED:	CHECKED:	1649 TIPPECANOE STREET TERRE HAUTE, INDIANA, U.S.A. 47807-2394 TELEPHONE: (812) 234-1120 FAX: (812) 234-3217	
SCALE:	EW3 21-AUG-2014	DRAWN:	NAME:
PAGE:	1 OF 1	R. WILSON	HT HIDDEN MARINE HORN KIT
WEIGHT:	DATE:	13 AUG, 2004	NUMBER: 16657 REV. 2

BILL OF MATERIAL			
REF.	PART #	DESCRIPTION	QTY.
1	2198	TERM. FITTING	4
2	2199	TERM. FITTING	1
3	2197	TERM. FITTING	2
4	2205	TERM. FITTING	1
5	1653	TOGGLE SWITCH BOOT	1
6	1652	TOGGLE SWITCH, ON/OFF	1
7	2683	FUSE COVER	1
8	2682	FUSE HOLDER	1
9	2196	TERM. FITTING	2
10	3010	ELEC CABLE, ORANGE	20.00
11	3013	ELEC CABLE, WHITE	112.00
12	2398	MACH SCREW	2
13	2362	WASHER, SS	2
14	2516	WASHER, SS	2
15	2333	HEX NUT, SS	2
16	6456	FUSE, 10A	1



CS	4	UPDATED TO ELECTRICAL STD	22 MAY, 2014
CJ	3	REMOVED TWO 2199 NO LONGER IN THIS KIT	30 JAN, 2014
CJ	2	UPDATED TO STD II & SWITCHED FUSE SIZE	17 JAN, 2013
CS	1	UPDATED BOM & FRONT NAV LIGHT WIRE LENTH	15 APR, 2009
SIG. NO.		REVISION	DATE

ALL DIMENSIONS IN IN AND [mm]
TOLERANCE UNLESS OTHERWISE SPECIFIED:

$$X.XX \pm 0.060" [1.52]$$

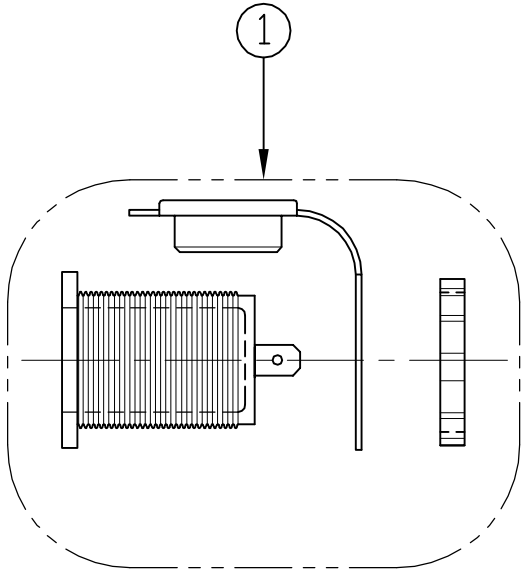
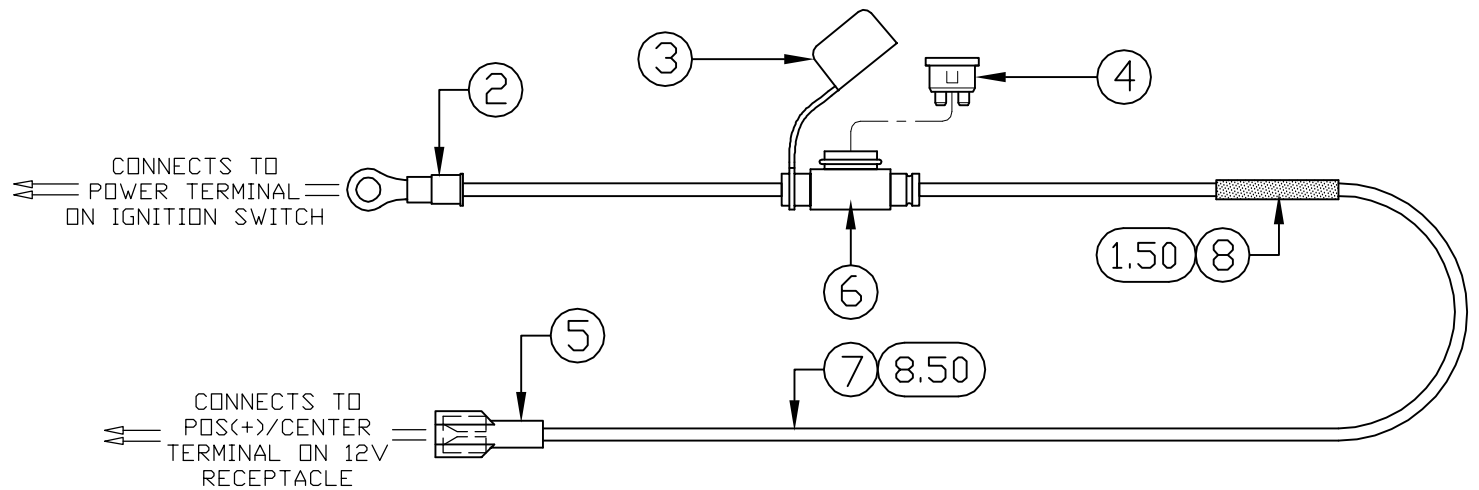
# REQUIRED:	CHECKED:
SCALE:	CJ37 21-AUG-2014
PAGE:	EW3 21-AUG-2014
1 OF 1	WEIGHT:

Neoteric Hovercraft Inc.

1649 TIPPECANOE STREET
TERRE HAUTE, INDIANA, U.S.A. 47807-2394
TELEPHONE (812) 234-1120 FAX (812) 234-3217

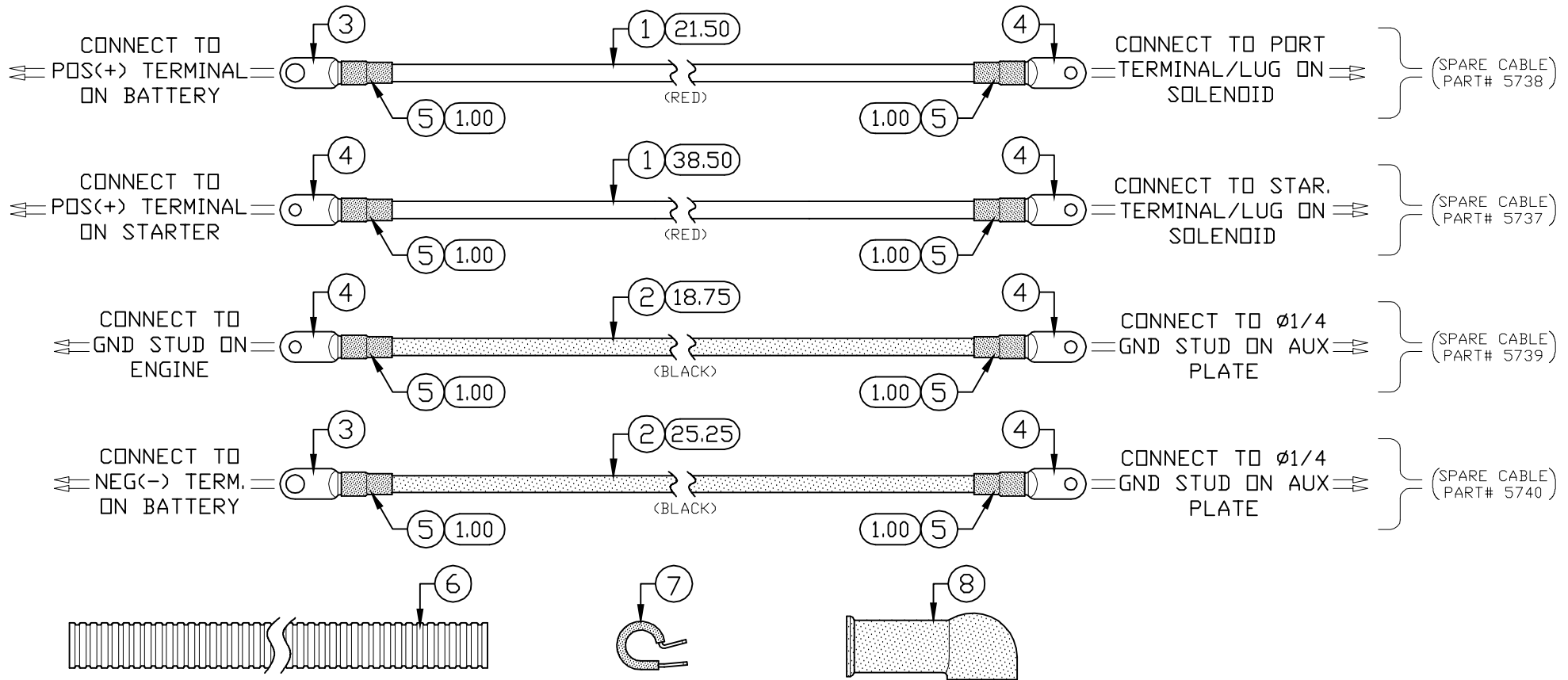
DRAWN: C. STEIMEL NAME: INCOMPLETE NAV LIGHT KIT
DATE: 23 JAN, 2009 NUMBER: 16658 REV. 4

BILL OF MATERIAL			
REF.	PART NO.	DESCRIPTION	QTY.
1	6468	RECEPTACLE	1
2	2197	TERM. FITTING	1
3	2683	FUSE COVER	1
4	6456	FUSE	1
5	2198	TERM. FITTING	1
6	2682	FUSE HOLDER	1
7	3082	ELEC CABLE, RED	8.50
8	3189	HEAT SHRINK, BLACK	1.50



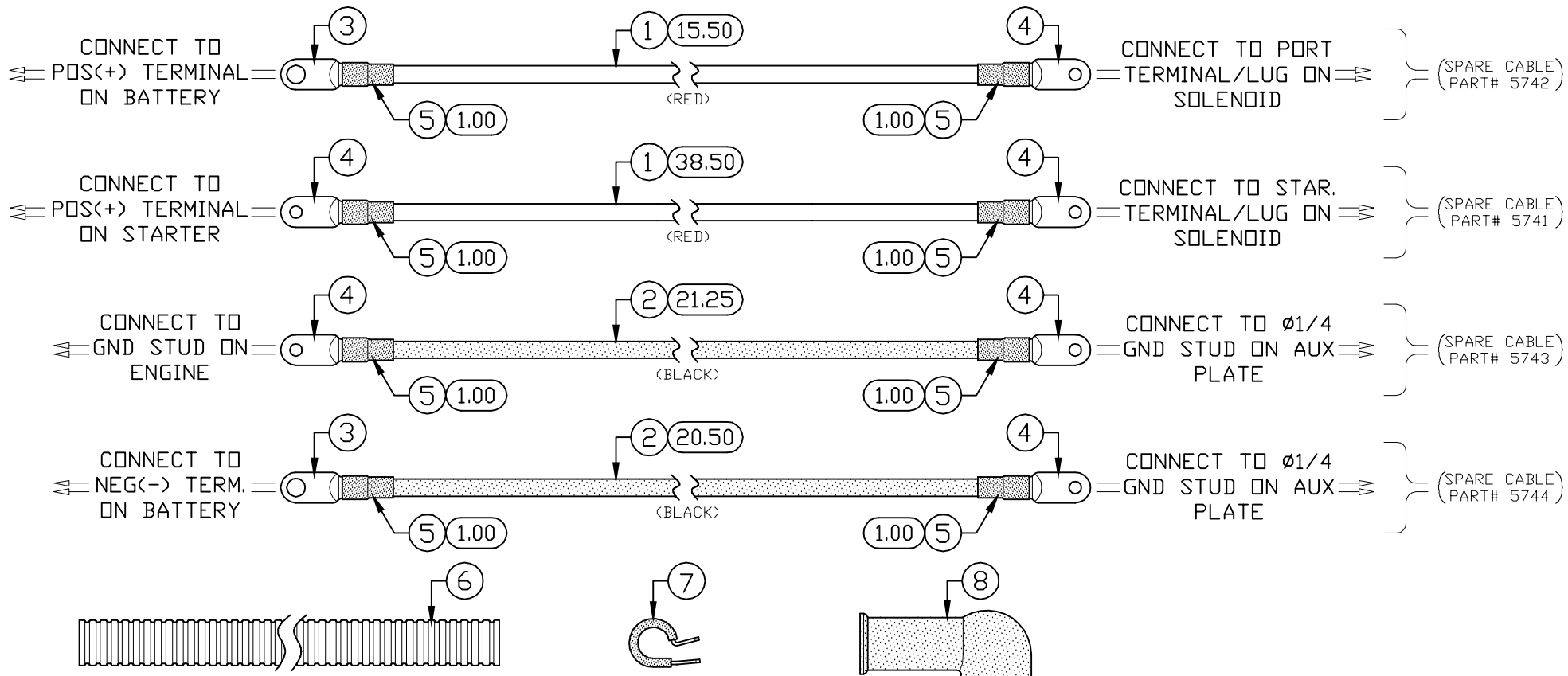
ALL DIMENSIONS IN IN AND [mm]		CS 2	UPDATED TO STD II & ELECTRICAL STD	27 MAY, 2014
TOLERANCE UNLESS OTHERWISE SPECIFIED:		CS 1	REDRAWN & UPDATED TO STD	19 FEB, 2009
X.XX ± 0.13" [3.3]		SIG. NO.	REVISION	DATE
# REQUIRED:	CHECKED:	 1649 TIPPECANOE STREET TERRE HAUTE, INDIANA, U.S.A. 47807-2394 TELEPHONE (812) 234-1120 FAX (812) 234-3217		
SCALE:	EW3 21-AUG-2014			
PAGE:	1 OF 1			
WEIGHT:				
DRAWN: J. DAVIS		NAME: MARINE 12V RECEPTACLE KIT		
DATE: 28 OCT, 2005		NUMBER: 16659		REV. 2

BILL OF MATERIAL			
REF.	PART #	DESCRIPTION	QTY.
1	2987	ELEC. CABLE, RED	60.00
2	2988	ELEC. CABLE, BLACK	44.00
3	2338	TERM. FITTING	2
4	2337	TERM. FITTING	6
5	3192	HEAT SHRINK, BLACK	8.00
6	2422	CORRUGATED LOOM	12.00
7	2309	CUSHIONED CLAMP	1
8	3878	TERMINAL POST CAP (BLACK)	1



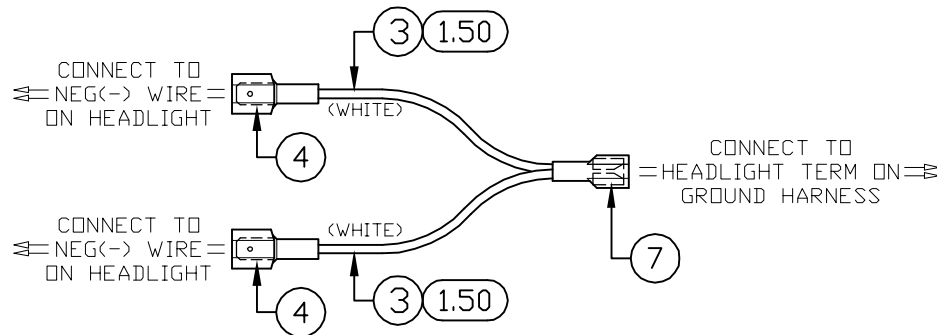
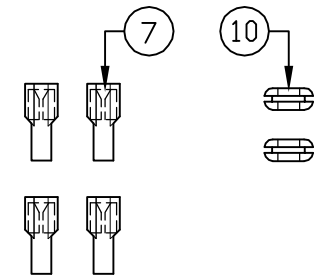
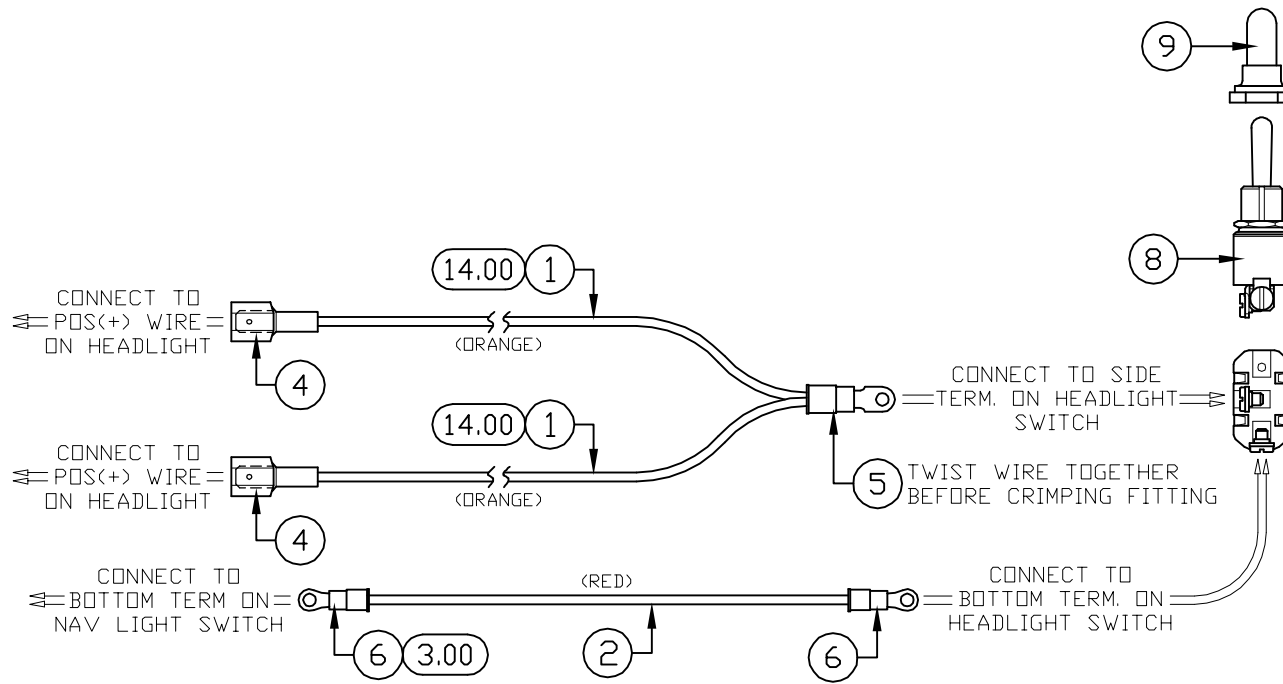
ALL DIMENSIONS IN IN AND [mm] TOLERANCE UNLESS OTHERWISE SPECIFIED:		CS 2	UPDATE TO STD II & ELEC STD	16 JUN, 2014
FRACTIONAL ± 1/32" [0.8] X.XX ± 0.06" [0.40]		SIG. NO.	REVISION	DATE
# REQUIRED:	CHECKED:	 1649 TIPPECANOE STREET TERRE HAUTE, INDIANA, U.S.A. 47807-2394 TELEPHONE (812) 234-1120 FAX (812) 234-3217		
SCALE:	CJ173 21-AUG-2014 EW3 21-AUG-2014			
PAGE:	1 OF 1			
WEIGHT:	DATE:	DRAWN:	NAME:	NUMBER:
	20 JULY, 2007	C. STEIMEL	HT4 INLINE BATTERY LEADS	16665
				REV. 2

BILL OF MATERIAL			
REF.	PART #	DESCRIPTION	QTY.
1	2987	ELEC. CABLE, RED	54.00
2	2988	ELEC. CABLE, BLACK	41.75
3	2338	TERM. FITTING	2
4	2337	TERM. FITTING	6
5	3192	HEAT SHRINK, BLACK	8.00
6	2422	CORRUGATED LOOM, BLACK	12.00
7	2309	CUSHIONED CLAMP	1
8	3878	TERMINAL POST CAP (BLACK)	1



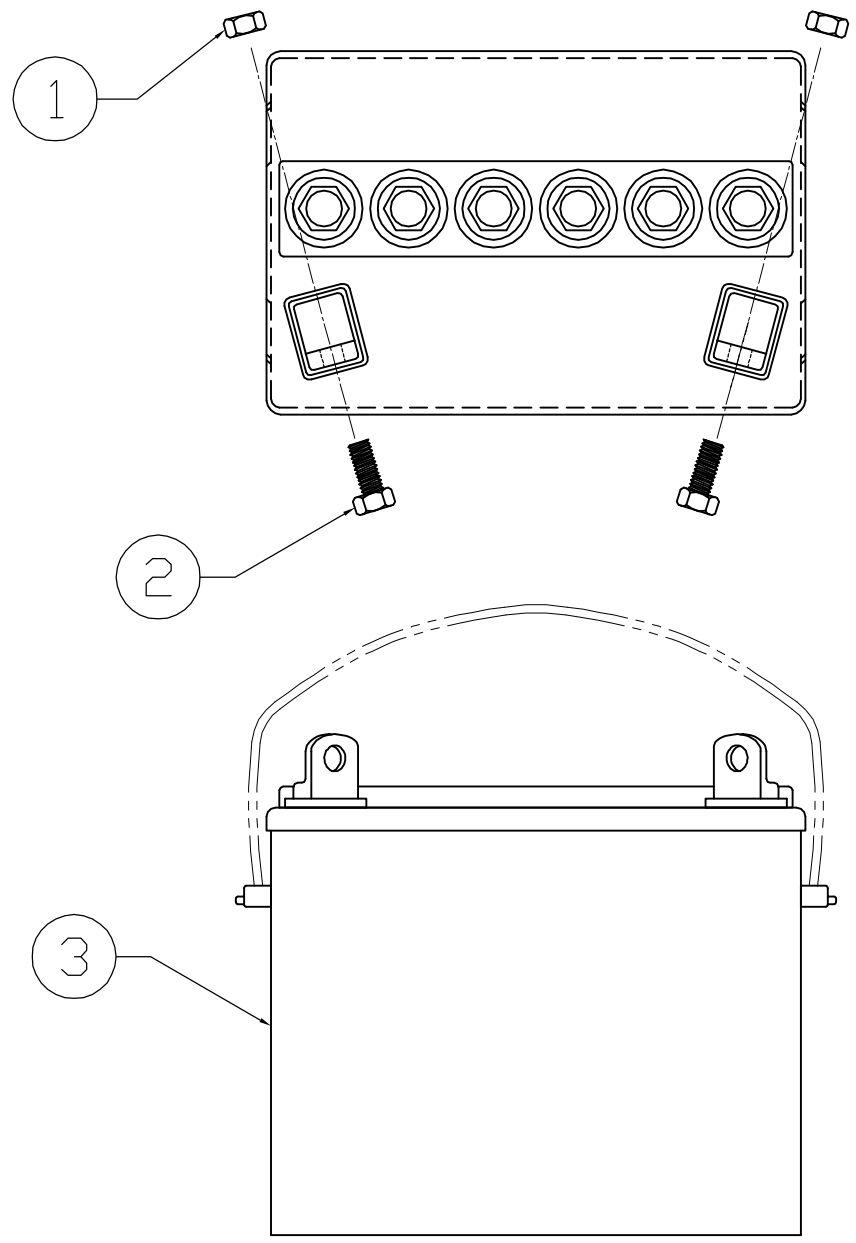
ALL DIMENSIONS IN IN AND [mm] TOLERANCE UNLESS OTHERWISE SPECIFIED:		CS 2	UPDATE TO STD II & ELEC STD	16 JUN, 2014
FRACTIONAL $\pm 1/32"$ [0.8] X.XX $\pm 0.06"$ [0.40]		SIG. NO.	REVISION	DATE
# REQUIRED:	CHECKED:	 1649 TIPPECANOE STREET TERRE HAUTE, INDIANA, U.S.A. 47807-2394 TELEPHONE (812) 234-1120 FAX (812) 234-3217		
SCALE:	CJ173 26-AUG-2014 EW3 21-AUG-2014			
PAGE: 1 OF 1	WEIGHT:			
		DRAWN:	NAME:	
		C. STEIMEL	HT4 SXS BATTERY LEADS	
		DATE:	NUMBER:	REV.
		20 JULY, 2007	16666	2

BILL OF MATERIAL			
REF.	PART #	DESCRIPTION	QTY.
1	3010	ELEC. CABLE, ORANGE	28
2	3082	ELEC. CABLE, RED	3
3	3013	ELEC. CABLE, WHITE	3
4	2199	TERM. FITTING	4
5	2409	TERM. FITTING	1
6	2196	TERM. FITTING	2
7	2198	TERM. FITTING	5
8	1652	TOGGLE SWITCH, ON/OFF	1
9	1653	TOGGLE SWITCH BOOT	1
10	2102	GROMMET	2

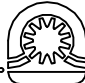


ALL DIMENSIONS IN In AND [mm]		CS 4 UPDATED TO ELECTRICAL STD 13 JUN, 2014	
TOLERANCE UNLESS OTHERWISE SPECIFIED:		SIG. NO.	REVISION
X.XX ± 0.06" [1.5]		DATE	
# REQUIRED:	CHECKED:	 1649 TIPPECANOE STREET TERRE HAUTE, INDIANA, U.S.A. 47807-2394 TELEPHONE (812) 234-1120 FAX (812) 234-3217	
SCALE:	CJ173 10-OCT-2014 EW3 03-OCT-2014		
PAGE:	WEIGHT:		
1 OF 1		DRAWN:	NAME:
		6 MAR, 2013	16667
			REVISION:
			4

BILL OF MATERIAL			
REF.	PART #	DESCRIPTION	QTY.
1	2227	HEX NUT, SS	2
2	2470	BOLT HEX, SS	2
3	3933	BATTERY	1



SIG. NO.	REVISION	DATE


Neoteric Hovercraft Inc.
 1649 TIPPECANOE STREET
 TERRE HAUTE, INDIANA, U.S.A. 47807-2394
 TELEPHONE (812) 234-1120 FAX (812) 234-3217

DRAWN: CJ POEHLEIN	NAME: SEALED 12V BATTERY ASSY
DATE: 22 MAR, 2016	NUMBER: 16671
	REV. 2

USED ON:	CHECKED:
SCALE:	
PAGE: 1 OF 1	WEIGHT: